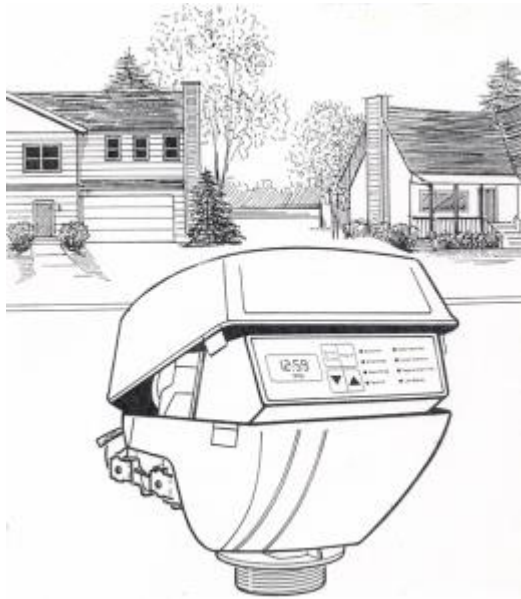
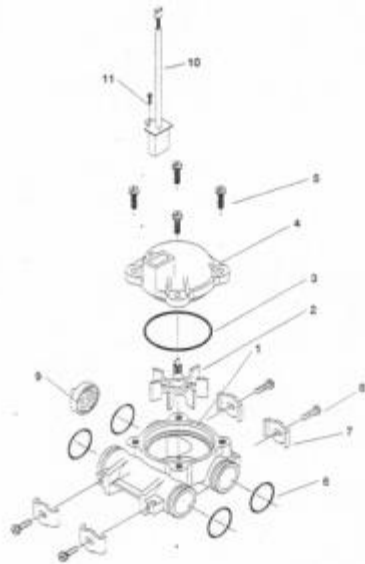


Model Fleck 6700 water softener; upflow brining (Rayne RFD Series) Service manual



MODEL 6700 Upflow

Meter Assembly



Parts for the 6700 Fleck water softener upflow vavle; Rayne RFD Upflow valve (Rayne RFD) Upflow: Meter assembly 6700 flex valve

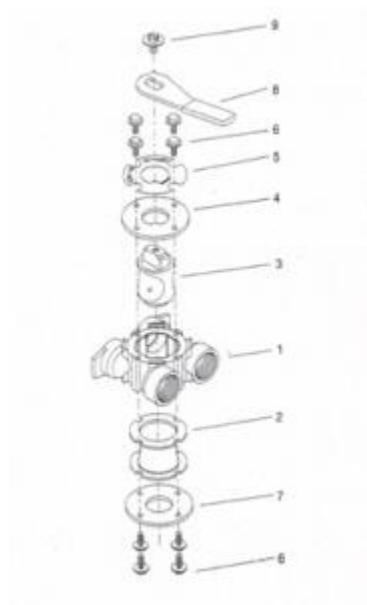
(Rayne

ITEM NO.	NO. REQ'D	PART NO.	DESCRIPTION
1	1	13821	Meter body

2	1	13509	Impeller
3	1	13847	O ring, -137
4	1	14716	Meter cap assembly, electronic
5	4	12473	Screw, hex washer, 10-24 x 5/8
6	4	13305	O ring, -119
7	4	13255	Clip, mounting
8	4	13314	Screw, hex washer head, 8-18 x 5/8
9	1	14613	Flow straightener
10	1	19121-01	Harness assembly, flow meter
11	1	17798	Screw

MODEL 6700 Upflow

By-Pass Valve Assembly, Brass



Parts for 6700 Fleck (Rayne RFD) Upflow

ITEM NO.	NO. REQ'D	PART NO.	DESCRIPTION•	Price
1	1	17290	By-pass valve body, 3/4"	
1	17290NP		By-pass valve body, 3/4" nickel plate	
1 13399			By-pass valve body, 1"	
1 13399NP			By-pass valve body, 1"; nickel plate	

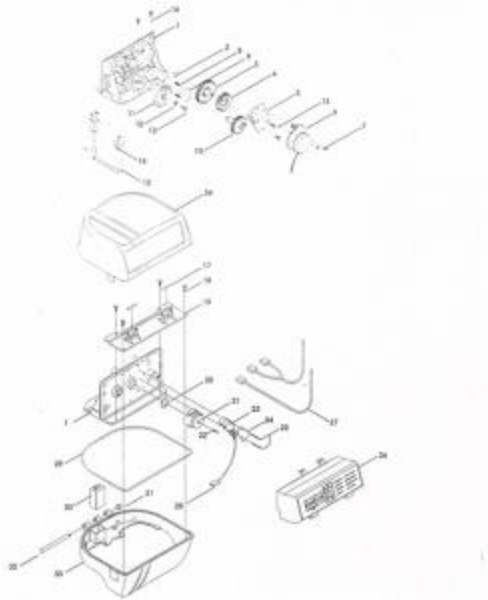
2	1	11726	Seal, by-pass
3	1	11972	Plug, by-pass
4	1	11978	Side cover
5	1	13604-01	Label
6	8	15727	Screw
7	1	11986	Side cover
8	1	11979	Lever,by-pass
9	1	11989	Screw, hex head, 1/4 – 14

Model 6700. Rayne RFD water softener

Parts for the 6700 Fleck (RFD): Complete assemblies (Upflw/ Dwnfl)

PART NO.	DESCRIPTION
1931 3-XXX	Circuit board housing assembly
16944	24 volt motor
60102-61	Upflow piston assembly
60102-71	Down flow piston assembly
60125	upflow seal kit
60125	downflow seal kit
60022-50	BLFC .50 gpm
60084	Injector/ drain module
60032	Brine valve
17703-10	Upflow valve body assembly
14449	Downflow valve body assembly
14716	Meter cap assembly (dome)
60086-50	Complete meter assembly
60343	Metered power head assembly

Model 6700. Rayne RFD upflow water softener power head

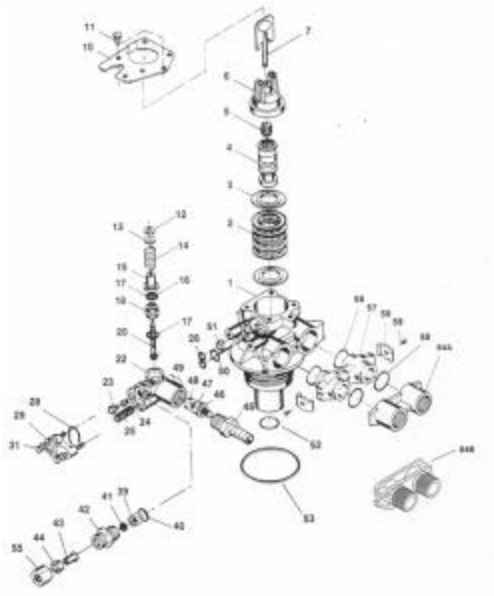


Parts for the 6700 Fleck (Rayne RFD) Upflow: Power head

ITEM NO.	NO. REQ'D	PART NO.	DESCRIPTION
1	1	14193-03	Drive panel
2	1	13299	Spring washer
3	1	13017	Idler gear
4	1	23045	Drive gear
5	1	13175	Motor mounting plate
6	1	16943	Drive motor 2 RPM 120V 60Hz
16944			Drive motor 2RPM 24V 50/60 Hz
16541			Drive motor 2 RPM 220V 50 Hz
7	3	11384	Screw, motor mount
8	2	19080	Spring, detent
9	2	13300	Ball, detent
10	1	24958	Main drive gear and shaft (upflow
			Brining-white)
11	1	18722	B/V cam
12	1	12037	Washer
13	7	13296	Screw, component

14	1	13547	Strain relief
15	1	11842	Power cord
16	2	12473	Screw, drive mount
17	2	18754	Pin
18	4	17798	Screw, mounting plate
19	1	17844	Mounting plate
20	1	19079	Friction washer
21	1	24598	Cycle cam (upflow – yellow) backwash first
1	17885		Cycle cam (upflow – red) brine draw/slow
rinse			
22	1	15151	Screw, cycle cam
23	2	10218	Microswitch
24	1	10302	Insulator
25	2	17876	Screw, microswitch
26	1	19313-XXX	Circuit board housing assy. (state
voltage, if optional relay is installed,			
and cycle cam			
color)			
27	1	19118	Wire harness, power
28	1	1911901	Wire harness, home and step switch
29	1	18&15-01	seal
30	1		9V alkaline battery
31	1	18679	tapered cap
32	1	17845	Hinge pin
33	1	17841-xx	Bottom cover (specify color)
34	1	17842-xx	Top cover (specify color)
35	4	12681	Wire nut, gray (not shown)

Model 6700. Rayne RFD Upflow water softener – Control valve assembly



Parts for the 6700 Fleck (Rayne RFD) Upflow water softener – Control valve assembly

ITEM NO.	NO. REQ'D	PART NO.	DESCRIPTION
1	1	17703-20	Valve body, up-flow 13/16" distributor
1	17703-10		Valve body, up-flow 1" distributor
2	4	14241	Spacer
3	5	13242	Seal
4	1	18848	Piston – (used with yellow or red cycle cam)
5	1	14309	Piston rod retainer
6	1	15561	End plug assy – white
7	1	13001-03	piston rod assembly, 6600 up flow
8		not assigned	
9		not assigned	
10	1	13546	End plug retainer
11	3	12473	Screw
12	1	11981-01	Retaining ring
13	1	16098	Washer brine valve
14	1	11973	Spring brine valve

15	1	13165	Brine valve cap
16	1	12550	Quad ring
17	2	13302	O-ring
18	1	13167	Spacer
19	1	14613	Flow straightener
20	1	13172	Brine valve stem
21	1	12626	Brine valve seat
22	1	13163	Injector housing
23	1	10913	Injector nozzle (specify size)
24	1	10914	Injector throat (specify size)
25	1	10227	Injector screen
26	2	13301	O-ring injector
28	1	13303	O-ring injector cover
29	1	13166	Injector cover
31	2	13315	Screw
39	1	13245	BLFC button retainer
40	1	12977	O-ring
41	1		BLFC button (specify size)
42	1	13244	BLFC fitting 3/8"
43	3	10332	BLFC insert 3/8"
44	3	10330	BLFC ferrule 3/8"
45	1	13308	Drain hose barb
46	1	13173	DLFC button retainer
47	1	15348	O-ring DLFC retainer
48	1		DLFC button (specify size)
49	1	13333	Injector label
50	1	12638	O-ring drain
51	1	13497	Air disperser

52		1	13304	O-ring distributor tube 1"
1	10244			O-ring distributor tube 13/16"
53		1	12281	O-ring, -338
54A		1	13398	Yoke, brass, 1" NPT
1	13708			Yoke, brass, 3/4" NPT
54B		1	18706	Yoke, plastic, 1" NPT

Parts for Model Fleck 6700; Rayne RFD Upflow water softener

Control valve assembly

ITEM NO.	NO. REQ'D	PART NO.	DESCRIPTION
55	3	10329	BLFC fitting nut
56	2	13255	Adapter clip
57	2	13709	Adapter coupling
58	4	13305	O-ring – adapter coupling
59	2	13314	Screw – adapter coupling

Model 6700 upflow. Rayne RFD