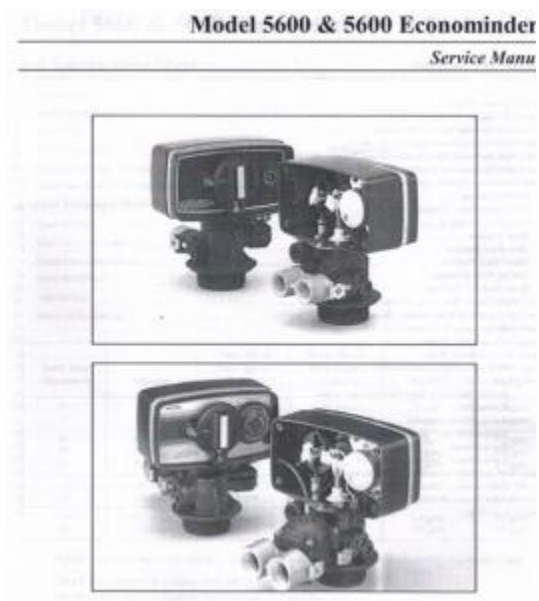




10.21.15 9:15 AM



Model 5600 & 5600 Fleck Econominder®

Service Manual

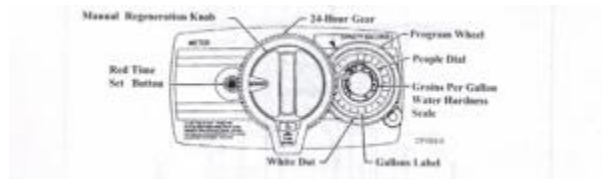
Model 5600 & 5600 Econominder®

Model 5600 Econominder Installation and Start-up Procedures

NOTE: Install the water softener with the inlet, outlet and drain connections made according to manufacturer's recommendations and to meet applicable plumbing codes.

BT 010618

Manual Regeneration Knob 24-Hour Gear



Words in pictures:

Red Time Set Button

Manual Regeneration Knob

Program Wheel

24-Hour Gear

People Dial

White Dot

Grains Per Gallons Water Hardness Scale

Gallons Label

Model 5600 Econominder –

1 Manually index the softener control to the In Service position and let water flow into the resin tank. When the water flow stops, open a softened water tap until all air is released from the lines. Then close tap.

NOTE: The various regeneration positions may be dialed manually by turning the knob on the front of the control until the indicator shows that the softener is in the desired position.

Set water usage program wheel using anyone of the following procedures: Typical Residential Application

To program, just set the time, set the hardness and it automatically monitors system needs and regenerates only when necessary. To set time of day press red time set button and turn 24-hour gear until present time of day is at "time of day." Set program wheel by lifting the "people" dial and rotating it so that the number of people in the household is aligned with the household grains per gallon water hardness. Release the dial and check for firm engagement at setting. This method provides reserve capacity based on 75 gallons per person.

– Optional Programming Procedures

Calculate the gallon capacity of the system, subtract the necessary reserve requirement and set the gallons available at the small white dot on program wheel gear. Note, drawing shows 850 gallon setting. The capacity (gallons) arrow denotes remaining gallons exclusive of fixed reserve.

Rotate program wheel counterclockwise until it-stops at Regeneration position.

Manually index the control to the Backwash position and allow water to flow at the drain for 3 or 4 minutes.

Remove back cover plate.

Make sure than the salt dosage is set as recommended by the manufacturer. Manually index the control to the Brine Fill position and allow the brine tank to fill to the top of the air check.

Manually index the control to the Brine Rinse position and allow the control to draw water from the brine tank until it stops.

Plug in the electrical cord and look in the sight hole in the back of the monitor to see that it is running.

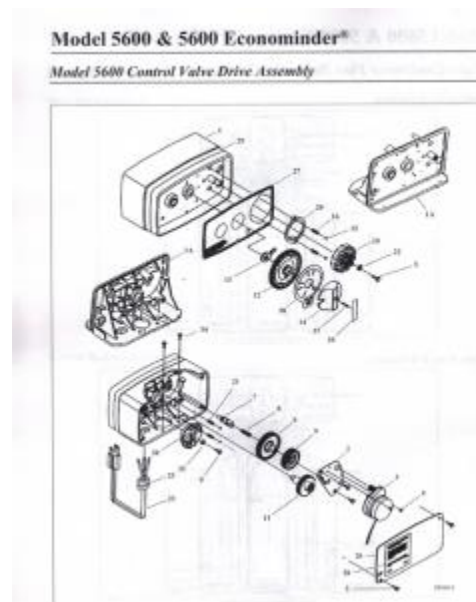
Manually advance the control to the beginning of the Brine Fill position and allow the control to return to the In Service position automatically.

Fill the brine tank with salt.

Replace back cover on the control. Be sure cable is not pinched between cover and housing.

Make sure that any bypass valving is left in the normal In Service position.

Model 5600 & 5600 Econominder®



Model 5600 Control Valve Drive Assembly

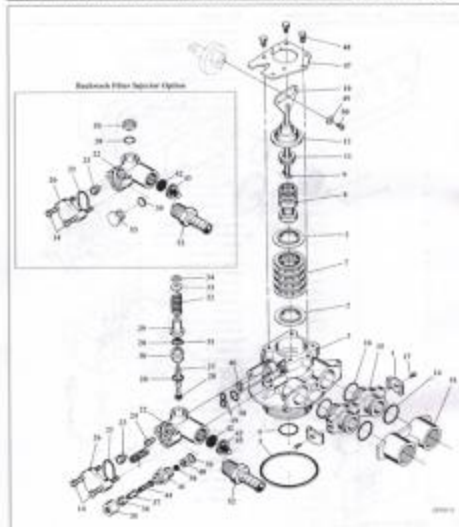
Item Number	No. Req 'd	Part Number	Description
1	14448-010	housing, with pin	
1	14448-011	housing, with pin drilled for screw	
14448-012		housing, with pin drilled for thumb screw	
IA	1	15494-01	"L" housing, with pin
15494-03		"L" housing, with pin drilled for designer	
2	1	13175	motor mounting plate
3	1	18743	motor, 120V, 60 Hz
1	19659	motor, 24V 60 Hz	
4	(2-3)	11384	screw, motor mtg. and ground wire
5	(3-5)	13296	screw, component mounting
6	1	13017	idler gear
7	1	13018	idler pinion
8	1	13312	spring, idler
9	1	13164	drive gear
11	1	13170	main gear and shaft
12	1	19205	24-hour gear assembly, silver
1	19205-01	24-hour gear assembly, tan	
13	1	13011	cycle actuator gear
14	1	14177	knob, manual regeneration
15	4	13300	ball, 1/4" dia.
16	2	13311	spring, detent, skipper wheel
19	1	14381	skipper wheel assembly, 12-day
1	14860	skipper wheel assembly, 7-day	
20	1	13864	skipper wheel ring
21	2	14457	spring, detent, main gear
22	1	13014	regeneration pointer
23	1	11842	electrical cord, standard
24	2	12681	wire connector (not shown)

25	1	13547	strain relief
26	1	13229	back cover
27	1	13309	front label, brown on beige
1		13437	front label, blue/silver on black
28	1	13310	rear label, softener
1		18520	rear label, filter
29	1	13348	tape stripe, brown on beige
1		13436	tape stripe, blue on silver
30A	1	60514	brine cam assembly, 3-18
1		60514-01	brine cam assembly, 6-36
1		60514-02	brine cam assembly, minutes
34	2	12473	screw-drive mounting
35A	1	12037	washer
37	1	15151	screw, knob
38	1	14176	valve position dial, standard
1		14278	valve position dial, low water
1		15478	valve position dial, chemical filter
1		16715	valve position dial, filter
39	1	14175	knob label, beige
		14207	knob label, silver
40A	1	40214	screw, brine cam

A Not used when a filter valve

Model 5600 & 5600 Econominder®

Model 5600 and 5600 Econominder Control Valve Drive Assembly



Model 5600 & 5600 Econominder®

Model 5600 and 5600 Econominder Control Valve Drive Assembly

Item Number	No. Req'd	Part Number	Description
2-4	13255		adapter clip (clock or meter)
2	5	13242	seal
5	17772		silicone seal
3	1	61400-12	valve body assembly, 1" dist.
		61400-11	valve body assembly, 3/4" dist.
4	1	13304	o-ring, distributor tube, 1"
		10244	o-ring, distributor tube, 13/16"
5	1	12281	o-ring, top of tank
6	6		not assigned
7	4	14241	spacer
8	1	13247	piston, standard
1		13781	piston, low water
1		13852	piston, filter
9	1	10696	piston pin
10	1	13001	piston rod assembly

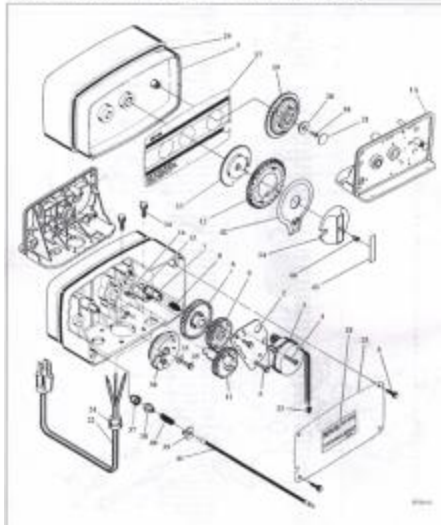
11	1	12953	piston retainer
12	1	13446	end plug assembly standard, white
13446-10			end plug assembly filter, black
13	1	13446-20	end plug assembly low water, gray
14	2	13315	screw, injector mounting
15	2	19228	adapter coupling
16*	4	13305	o-ring, adapter coupling
17	2-4	13314	screw, adapter coupling (clock or meter)
18	1	• 12638	o-ring, drain
19	2	13301	o-ring, injector
20A	2	13302	O-ring, brine spacer
21	1	13303	O-ring, injector cover
22	1	13163	injector body
23A	1	10913U	injector nozzle, undrilled
24	1	10914	injector throat, specify size
25	1	10227	injector screen
26	1	13166	injector cover
27	1	13172	brine valve stem
28	1	12626	brine valve seat
29	1	13165	brine valve cap
30	1	13167	brine valve spacer
31	1	12550	quad ring
32	1	11973	spring, brine valve
33	1	16098	washer, brine valve
34	1	11981-01	retaining ring
35	1	10329	BLFC fitting nut
36	1	10330	BLFC ferrule
37	1	10332	BLFC tube insert
38	1	12094	BLFC button, .25gpm

12095		BLFC button, .50 gpm
1		12097 BLFC button, 1.0gpm
39A	1	12977 ring, BLFC
40	1	13245 BLFC button retainer
41	1	13244 BLFC fitting, 3/8"
42	1	DLFC button, specify size
43	1	13173 DLFC button retainer
44	1	12767 screen, brine line
45	1	15348 o-ring, DLFC (not shown)
46	1	13497 air disperser
47	1	13546 end plug retainer
48	3	12112 screw
49	1	13363 washer
50	1	13296 screw
51A	1	13398 yoke, brass, 1" NPT
1		13708 yoke, brass, 3/4"NPT
SIB	1	18706 yoke, plastic, 1" NPT
1		18706-02 yoke, plastic 3/4" NPT
52	1	13308 drain hose barb
53	1	13918 BLFC. plug
54A	1	13857 brine valve, plug

* not used with meter controls A used in backwash filter

Model 5600 & 5600 Econominder®

Model 5600 Econominder Control Valve Drive Assembly



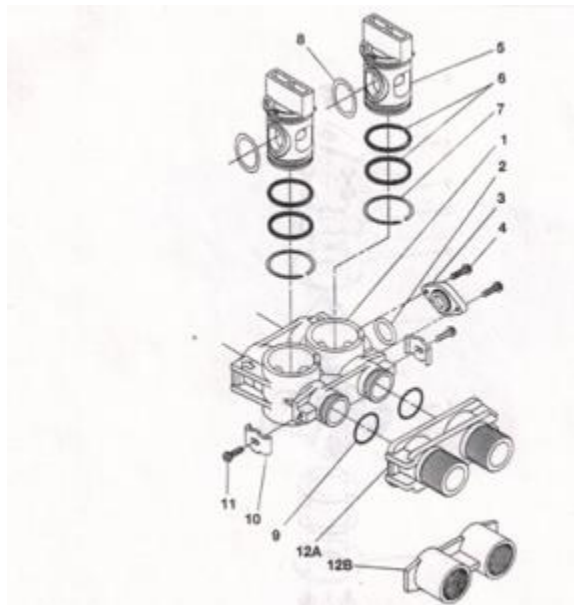
Model 5600 & 5600 Econominder®

Model 5600 Econominder Control Valve Drive Assembly

Item Number	No. Req'd	Part Number	Description
1	14448-000		housing, with roll pin
	14488-001		housing, with pin drilled for screw
	14448-0		housing, with pin drilled for thumb screw
1A	1	15494-01	"L" housing, with pin
	15494-03		"L" housing, with pin drilled for designer
2	1	13175	motor mounting plate
3	1	18743	motor, 120V 60 Hz
	1	13494	motor, 24V 60 Hz
4	2-3	11384	screw, motor mtg. and ground wire
5	2-4	13296	screw, component mounting
6	1	13017	idler gear
7	1	13018	idlerpinion
8	1	13312	spring, idler
9	1	13164	drive gear

11	1	13170	main gear and shaft
12	1	19205	24-hour gear assembly, silver
1	19205-01		24-hour gear assembly, tan
13	1	13802	cycle actuator gear
14	1	14177	knob, manual regeneration
15	2	13300	ball, 1/4" dia.
16	2	14457	spring, detent
18	1	13748	screw, program wheel
19	1	60405-I5	program skipper wheel assembly, specify hardness capacity
20	1	13806	program wheel retainer
21	1	13953	cover label, program wheel
22	1	11842	-
23	2	12681	wire connector
24	1	13547	strain relief
25	1	13229	back cover
26			not assigned
27	1	13955	front label, beige
		13958	front label, silver
28	1	13310	rear label, softener
		18520	rear label, filter
29	1	13957	tape stripe, beige
		13960	tape stripe, silver
30	1	60514	brine cam assembly, 3-18
		60514-01	brine cam assembly, 6-36
1	60514-02		brine cam assembly, minutes
34	2	12473	screw-drive mounting
35	1	12037	washer
37	1	13830	drive pinion, program wheel
38	1	13831	clutch, drive pinion

- 39 1 14253 spring retainer
- 40 1 14276 spring
- 41 1 14043 cable assembly, standard
- 14910 cable assembly, extended, right angle
- 42 1 14176 valve position dial, standard
- 14278 valve position dial, low water
- I 15478 valve position dial, filter
- 43 1 14175 knob label, beige
- I 14207 knob label, silver
- 44 1 15151 screw, knob
- 45 1 40214 screw, brine cam



MODEL 5600 & 5600 ECONOMINDER

by-pass valve assembly, plastic

PARTS LIST

Parts for the Fleck 5600 (RF Series):

By-Pass Valve Assembly (plastic)

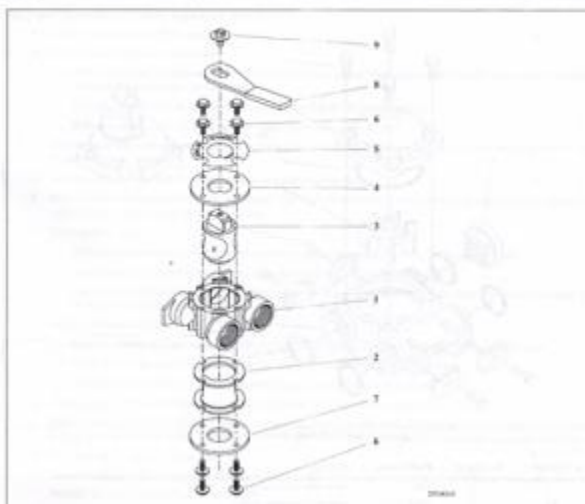
ITEM NO.	NO. REQ'D	PART NO.	DESCRIPTION
1	1	19723	By-Pass Valve Body, Plastic

2	1	11183	O Ring, -015
3	1	19724	Cap, By-Pass
4	2	17512	Screw, Hex Washer Head, #6-24 x 3
5	2	17820	Plug, By-Pass
6	4	18661	O Ring, -218
7	2	18662	Retaining Ring
8	2	18660	O Ring
9	2	13305	O Ring, 119
10	2	13255	Clip, Mounting
11	2	13314	Screw, Hex Washer Head. 8-18 x5/8
12A	1	18706	Yoke, Plastic, 1" NPT
18706-02			Yoke, Plastic, 3/4" NPT
12B	1	13708	Yoke, 3/4"
1	18708NP		Yoke, 3/4" Nickel Plated
1	13398		Yoke, 1"
1	13398NP		Yoke, 1" Nickel Plated

Model 5600 & 5600 Econominder®

Bypass Valve Assembly, Brass

Model 5600 & 5600 Econominder®
Bypass Valve Assembly, Brass





This is the part called the bypass boot.

This is my finger sticking through the hole.

This hole is caused by age and the chlorine (which the city puts in the water) breaks down the plastic.

There should be no hole.

The degradation of this part will cause the bypass valve to erroneously begin to leak.

If this happens – this may happen to you:



In our opinion; it is better to be proactive.

This part is inserted in this old 5600 bypass valve:



We sell the bypass boot for \$15.00 plus tax. Please call to confirm we have this in stock.

Our office phone number is (480) 969-7251. Our address is: 38 East 5th Avenue, Mesa AZ 85210

Bypass Valve Assembly, Brass

Item Number	No. Req'd	Part Number	Description
1	1	17290	bypass valve body, 3/4"
1		17290NP	bypass valve body, 3/4")
1		13399	bypass valve body, 1"
1		3399NP	bypass valve body, 1" (nickel-plated)
2	1	11726	seal, bypass
3	1	11972	plug, bypass
4	1	11978	side cover

5	1	13604-01	label
6	8	15727	screw
7	1	11986	side cover
8	1	11979	lever, bypass
9	1	11989	screw, hex head, 1/4-14

A good idea is to upgrade to this bypass valve. The flow rate is better and it comes with our Boyett's Family Resin screen 'world-wide invention'. No other water company offers this feature (The Boyett's Family Resin screen). This is an image of the new bypass valve 'with the Boyett's Family Resin screen':



The screen will help prevent significant plumbing problems and financial loss by protecting your home – if the lower collector breaks.

This new bypass valve is more dependable and has a better flow rate.

This is an image of a lower collector which has broken:



Model 5600 & 5600 Econominder®

Model 5600 Econominder Meter Assembly

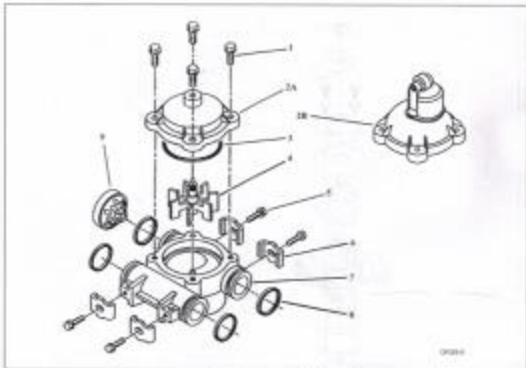


Figure 17 Model 5600 Econominder Meter Assembly

Model 5600 Econominder Meter Assembly

Item Number	No. Req 'd	Part Number	Description
1	4	12473	screw, meter cover assembly
2A	1	14038	meter cover assembly, standard
213	1	15659	meter cover assembly, extended range (right angle)
3	1	13847	O-ring, meter cover assembly
4	1	13509	impeller
5	4	13314	screw, adapter clip
6	4	13255	adapter clip
7	1	13821	meter body
8	4	13305	O-ring, meter body
9	1	14613	flow straightener

This 5600 water softener (in Mesa, AZ; Chandler, AZ; Phoenix, Arizona; Cave Creek, AZ) is also known as an Ultima Water softener – distributed by a famous water treatment manufacture named B and R Industries (BR Industries, B and R Water softeners and RO units Mesa, Arizona, Phoenix, Arizona, Glendale, Arizona).

Model 5600 & 5600 Econominder®

Service Instructions

Replace Time Brine Valve, Injectors and Screen

Unplug electrical cord from outlet.

Turn off water supply to conditioner:

If the conditioner installation has a “three valve” bypass system, first open the valve in the bypass line, then close the valves at the conditioner inlet and outlet.

If the conditioner has an integral bypass valve, put it in the Bypass position. If there is only a shut-off valve near the conditioner inlet, close it.

Relieve water pressure in the conditioner by putting the control in the Backwash position momentarily. Return the control to the In Service position.

Disconnect brine tube and drain line connections at the injector body.

Remove the two injector body mounting screws. The injector and brine module can now be removed from the control valve. Remove and discard valve body o-rings.

Replace brine valve.

Pull brine valve from injector body, also remove and discard o-ring at bottom of brine valve hole. Apply silicone lubricant to new o-ring and reinstall at bottom of brine valve hole.

Apply silicone lubricant to o-ring on new valve assembly and press into brine valve hole, shoulder on bushing should be flush with injector body.

Replace injectors and screen.

Remove injector cap and screen, discard o-ring. Unscrew injector nozzle and throat from injector body. Screw in new injector throat and nozzle, be sure they are seated tightly. Install a new screen.

Apply silicone lubricant to new o-ring and install around oval extension on injector cap.

Apply silicone lubricant to three new o-rings and install over three bosses on injector body.

Insert screws with washers through injector cap and injector. Place this assembly through hole in timer housing and into mating holes in the valve body. Tighten screws. (Be sure to reinstall brass spacers with injector on model 4600 valve.)

Reconnect brine tube and drain line.

Return bypass or inlet valving to normal In Service position. Water pressure automatically builds in the conditioner. NOTE: Be sure to shut off any bypass line.

Check for leaks at all seal areas. Check drain seal with the control in the Backwash position.

Plug electrical cord into outlet.

Set time of day and cycle the control valve manually to assure proper function.

— Make sure control valve is in the In Service position.

Make sure there is enough brine in the brine tank.

Rotate program wheel counterclockwise until it stops at Regeneration position.

Start regeneration cycle manually if water is hard.

Model 5600 & 5600 Econominder®

Service Instructions (Contd.)

Replace Timer

Unplug electrical cord from outlet.

Turn off water supply to conditioner:

— If the conditioner installation has a “three valve” bypass system, first open the valve in the bypass line, then close the valves at the conditioner inlet and outlet.

– If the conditioner has an integral bypass valve, put it in the Bypass position. If there is only a shut-off valve near the conditioner inlet, close it.

Relieve water pressure in the conditioner by putting the control in the Backwash position momentarily. Return the control to the In Service position.

Pull cable out of meter cover. Remove the control valve back cover.

Remove screw and washer at drive yoke. Remove timer mounting screws. The entire timer assembly now lifts off easily.

Put new timer on top of valve. Be sure drive pin on main gear engages slot in drive yoke (rotate control knob if necessary).

Replace timer mounting screws. Replace screw and washer at drive yoke.

Return bypass or inlet valving to normal In Service position. Water pressure automatically builds in the conditioner. NOTE: Be sure to shut off any bypass line.

Plug electrical cord into outlet.

Set time of day, program wheel, and salt usage. Cycle the control valve manually to assure proper function. Be sure to return the control valve to the In Service position.

Replace the control valve back cover. Be sure grommet at cable hole is in place.

Make sure there is enough brine in the brine tank.

Rotate program wheel counterclockwise until it stops at Regeneration position.

Start regeneration cycle manually if water is hard.

Plug cable into meter cover, rotate cable to align drive flat if necessary.

Model 5600 & 5600 Econominder®

Service Instructions (Contd.)

Replace Piston Assembly

Unplug electrical cord from outlet.

Turn off water supply to conditioner:

If the conditioner installation has a “three valve” bypass system, first open the valve in the bypass line, then close the valves at the conditioner inlet and outlet.

If the conditioner has an integral bypass valve, put it in the Bypass position. – If there is only a shut-off valve near the conditioner inlet, close it.

Relieve water pressure in the conditioner by putting the control in the Backwash position momentarily. Return the control to the In Service position.

Pull cable out of meter cover. Remove the control valve back cover.

Remove screw and washer at drive yoke. Remove timer mounting screws. The entire timer assembly now lifts off easily. Remove end plug retainer plate.

Pull upward on end of piston yoke until assembly is out of valve.

Inspect the inside of the valve to make sure that all spacers and seals are in place, and that there is no foreign matter that would interfere with the valve operation.

Take new piston assembly as furnished and push piston into valve by means of the end plug. Twist yoke carefully in a clockwise direction to properly align it with drive gear. Replace end plug retainer plate.

Place timer on top of valve. Be sure drive pin on main gear engages slot in drive yoke (rotate control knob if necessary).

Replace timer mounting screws. Replace screw and washer at drive yoke.

Return bypass or inlet valving to normal In Service position. Water pressure automatically builds in the conditioner. NOTE: Be sure to shut off any bypass line.

Plug electrical cord into outlet.

Set time of day, program wheel, and salt usage. Cycle the control valve manually to assure proper function. Be sure to return the control valve to the In Service position.

Replace the control valve back cover. Be sure grommet at cable hole is in place.

Make sure there is enough brine in the brine tank.

Rotate program wheel counterclockwise until it stops at Regeneration position.

Start regeneration cycle manually if water is hard.

Plug cable into meter cover. Rotate cable to align drive flat if necessary.

Model 5600 & 5600 Econominder®

Service Instructions (Contd.)

Replace Seals and Spacers

Unplug electrical cord from outlet.

Turn off water supply to conditioner:

If the conditioner installation has a "three valve" bypass system, first open the valve in the bypass line, then close the valves at the conditioner inlet and outlet.

– If the conditioner has an integral bypass valve, put it in the Bypass position. – If there is only a shut-off valve near the conditioner inlet, close it.

Relieve water pressure in the conditioner by putting the control in the Backwash position momentarily. Return the control to the In Service position.

Pull cable out of meter cover. Remove the control valve back cover.

Remove screw and washer at drive yoke. Remove timer mounting screws. The entire timer assembly now lifts off easily. Remove end plug retainer plate.

Pull upward on end of piston rod yoke until assembly is out of valve. Remove and replace seats and spacers with fingers.

Model 5600 & 5600 Econominder®

Service Instructions (Contd.)

Replace Meter

Unplug electrical cord from outlet.

Turn off water supply to conditioner:

If the conditioner installation has a "three valve" bypass system, first open the valve in the bypass line, then close the

valves at the conditioner inlet and outlet.

If the conditioner has an integral bypass valve, put it in the Bypass position.

If there is only a shut-off valve near the conditioner inlet, close it.

Relieve water pressure in the conditioner by putting the control in the Backwash position momentarily.

Return the control

to the In Service position.

Pull cable out of meter cover.

Remove two screws and clips at bypass valve or yoke. Pull resin tank away from plumbing Connections.

Remove two screws and clips at control valve. Pull meter module out of control valve.

Apply silicone lubricant to four new O-rings and assemble to four ports on new meter module.

Assemble meter to control valve. Note, meter portion of module must be assembled at valve outlet.

Attach two clips and screws at control valve. Be sure clip legs are firmly engaged with lugs.

Push resin tank back to the plumbing connections and engage meter ports with bypass valve or yoke.

Attach two clips and screws at bypass valve or yoke. Be sure clip legs are firmly engaged with lugs.

Return bypass or inlet valving to normal In Service position. Water pressure automatically builds in the conditioner. NOTE: Be sure to shut off any bypass line.

Check for leaks at all seal areas.

Plug electrical cord into outlet.

Set time of day.

– Make sure control valve is in the In Service position.

Rotate program wheel counterclockwise until it stops at Regeneration position.

Start regeneration cycle manually if water is hard.

Plug cable into meter cover. Rotate cable to align drive flat if necessary.

Model 5600 & 5600 Econominder®

Service Instructions (Contd.)

Replace Meter Cover and/or Impeller

Unplug electrical cord from outlet.

Turn off water supply to conditioner:

If the conditioner installation has a “three valve” bypass system, first open the valve in the bypass line, then close the valves at the conditioner inlet and outlet.

– If the conditioner has an integral bypass valve, put it in the Bypass position. If there is only a shut-off valve near the conditioner inlet, close it.

Relieve water pressure in the conditioner by putting the control in the Backwash position momentarily. Return the control to the In Service position.

Pull cable out of meter cover.

Remove four screws on cover

Lift cover off of meter module, discard o-ring.

Remove and inspect impeller for gear or spindle damage, replace if necessary.

Apply silicone lubricant to new O-ring and assemble to the smallest diameter on meter cover.

Assemble cover to meter module. Be sure impeller spindle enters freely into cover. Press firmly on cover and rotate if necessary to assist in assembly.

Replace four screws and tighten.

Return bypass or inlet valving to normal In Service position. Water pressure automatically builds in the conditioner. NOTE: Be sure to shut off any bypass line.

Check for leaks at all seal areas.

Plug electrical cord into outlet.

Set time of day.

Make sure control valve is in the In Service position.

Rotate program wheel counterclockwise until it stops at Regeneration position.

Start regeneration cycle manually if water is hard.

Plug cable into meter cover. Rotate cable to align drive flat if necessary.

Model 5600 & 5600 Econominder®

Model 5600 and 5600 Econominder Troubleshooting

PROBLEM	CAUSE	CORRECTION
1. Softener fails to regenerate. interrupted. service (check fuse, plug, pull chain or switch).	A. Electrical service to unit has been permanent electrical	A. Assure
B. Timer is defective. Power failure.	B. Replace timer. C. Reset time of day.	
2. Softener delivers hard water. B. No salt in brine tank. Maintain salt level above water level.	A. Bypass valve is open. B. Add salt to brine tank and	A. Close bypass valve.
Injectors or screen is plugged. screen.	C. Replace injectors and	
D. Insufficient water flowing into brine tank. and clean brine line flow control if plugged.	D. Check brine tank fill time	
E. Hard water tank hardness. hot water tank is required.	E. Repeated flushings of the	
F. Leak at distributor tube. Not cracked. Check O-ring and tube pilot.	F. Make sure distributor tube is	

G.Internal valve leak.
piston.

G.Replace seals and spacers and/or

3.Unit uses too much salt. A.Improper salt setting. A.Check salt usage and salt setting.

B.Excess water in brine tank. B.See problem number 7.

4.Loss of water pressure A.Iron build-up in line to water conditioner. A.Clean line to water conditioner.

B.Iron build-up in water conditioner. B.Clean control and add resin cleaner to resin bed. Increase frequency of regeneration.

Inlet of control plugged due to foreign material loose from pipes by recent work done on plumbing system. C.Remove piston and clean control.

5.Loss of resin through drain line. A.Air in water system. A.Assure that well system has proper air elimination control, check for dry well condition.

6.Iron in conditioned water. A.Fouled resin bed. A.Check backwash, brine draw and brine tank fill, increase frequency of regeneration, increase backwash time.

7.Excessive water in brine tank. A.Plugged drain line flow control. A.Clean flow control.

8.Salt water in service line. A.Plugged injector system. A.Clean injector and replace screen.

B.Timer not cycling. B. Replace timer.

Foreign material in brine valve. C.Clean or replace brine valve.

D.Foreign material in brine line flow control. D.Clean brine line flow control.

Model 5600 & 5600 Econominder®

Model 5600 and 5600 Econominder Troubleshooting (Contd.)

PROBLEM	CAUSE	CORRECTION
9. Softener fails to draw brine. flow control.	A. Draw line flow control is plugged.	A. Clean drain line
B. Injector is plugged.	B. Clean or replace injectors.	
C. Injector screen plugged.	C. Replace screen.	
D. Line pressure is too low. (minimum 20 psi at all times).	D. Increase line pressure	
Internal control leak.	E. Change seals, spacers and/or piston assembly.	
Control cycles continuously.	A. Faulty timer mechanism.	A. Replace timer.
11. Drain flows continuously. and inspect bore, remove foreign material and check control in various regeneration positions.	A. Foreign material in control.	A. Remove piston assembly
B. Internal control leak.	B. Replace seals and/or piston assembly.	
Control valve jammed in Brine or Backwash position.	C. Replace seals and/or piston assembly.	
D. Timer motor stopped or jammed.	D. Replace timer.	

General Service Hints for Meter Control

PROBLEM	CAUSE	CORRECTION
Softener delivers hard water. requirements and reset program wheel to	A. Reserve capacity has been exceeded.	A. Check salt dosage

provide

additional reserve.

B.Program wheel is not rotating with meter output. B.Pull cable out of meter cover and

rotate manually, program

wheel must move without

binding and clutch must give

positive “clicks”

when program wheel strikes

regeneration stop (if not, replace

timer).

C.Meter is not measuring flow. C.Check output by observing rotation

of small gear on front of timer

(program wheel must not be against

regeneration stop for this check)

each tooth to tooth is approximately

30 gallons (if not, replace meter).

Model 5600 & 5600 Econominder®

Model 5600SF Troubleshooting

PROBLEM	CAUSE	CORRECTION
1.Filter fails to backwash. interrupted. (check fuse, plug, pull chain or switch).	A.Electrical service to unit has been electrical service	A.Assure permanent
B.Timer is defective. Power failure.	B. Replace timer. C.Reset time of day.	
2.Filter “bleeds” iron.	A.Bypass valve is open.	A.Close bypass valve.

B.Excessive water usage. B. Reduce days between,
backwashing

(see timer instructions), make sure
that there is not a leaking valve in the
toilet bowl or sinks.

Hot water tank rusty. C.Repeated flushings of the
hot water tank is required.

D.Leak at distributor tube. D.Make sure distributor tube
is not cracked, check O-ring
and tube pilot.

E.Defective or stripped filter medium bed. E.Replace bed.

F.Inadequate backwash flow rate. F.Make sure filter has
correct drain
flow control, be sure flow control
is not clogged or drain
line restricted, be sure water
pressure has not dropped, increase
backwash flow rate according to
specifications for your
unit, see your dealer for
recommendations.

Loss of water pressure. A.Iron or turbidity build-up in water filter. Reduce days
between backwashing
so filter backwashes more often,
make sure filter is sized large enough
to handle water usage.

B.Inlet plugged due to foreign material B.Remove piston and clean control.
broken loose from pipes by recent work
done on plumbing system.

4. Loss of filter medium through A. Broken or missing top screen. A. Replace top screen, must have 0.020" drain line, wide slots.

5. Drain flows continuously. A. Foreign material in control. A. Remove piston assembly and inspect bore, remove foreign material and check control in various cycle positions.

B. Internal control leak. B. Replace seals and/or piston assembly.

Control valve jammed in rinse or C. Replace piston, seals and spacers backwash. (and drive motor if necessary).

Model 5600 & 5600 Econominder®

Service Assemblies

Part Number	Description
60102-00	piston, softener
60102-10	piston, filter
60102-20	piston, low water
60125	seal kit
60084-XX	injector
60032	brine valve
60514	brine cam, 3-18
60514-01	brine cam, 6-36
60514-02	brine cam, minutes
60510	coupling, with clip and screws
60040	bypass, brass 3/4" NPT

60041	bypass, brass 1" NPT
60049	bypass, plastic
60086	meter, standard
60087	meter, extended
160136-5600	service kit, meter
160135-5600	service kit, clock
14860	skipper wheel, 7-day
14381	skipper wheel, 12-day
60405-10	meter program wheel, standard
60405-20	meter program wheel, extended

Parts for the Fleck 5600 Fleck (Rayne RF Series): Complete assemblies

PART NO.	DESCRIPTION
60022-50	BRINE LINE FLOW ASSEMBLY
60032	BRINE VALVE
61020	BRINE VALVE ASSEMBLY (SHURZ)
60040	3/4" BYPASS VALVE
60041	1" BYPASS VALVE
60084	INJECTOR/ DRAIN MODULE
60086	METER MODULE COMPLETE
14038	METER COVER ASSEMBLY
60102-00	PISTON ASSEMBLY (STANDARD)
60102-20	PISTON ASSEMBLY (LOW FLOW)
60125	SEAL KITS
60514	BRINE CAM ASSEMBLY
60354-00	POWER HEAD METER
60353-00	POWER HEAD T/C

COMPLETE VALVE AND POWER HEAD

METER NO B.P.

COMPLETE VALVE AND POWER HEAD T/C

NO B.P.

13708	3/4" BOSS ADAPTER
13398	1" BOSS ADAPTER
13400	110 VOLT MOTOR
13494	24 VOLT MOTOR
13170	MAIN GEAR AND SHAFT
13168	BRINE CAM
14043	METER CABLE
13830	DRIVE PINION
13831	CLUTCH PINION
14253	SPRING RETAINER
14276	SPRING
11726	BY-PASS BOOT
60225-01	DUST COVER FOR TIMER (STANDARD)
60226-11	COVER FOR L STYLE TIMER
61400-12	VALVE BODY ONLY – 1" DISTRIBUTOR
61400-11	VALVE BODY ONLY – 3/4" DISTRIBUTOR

5600 OWNERS SERVICE MANUAL