

Krystal Klear Water

Water Filtration System &

Electronic DeScaler

Instruction & Owners Manual

WELCOME

INSTALLATION OVERVIEW BEFORE YOU START PROGRAMMING INSTRUCTIONS – FILTRATION SYSTEM

INSTALL INSTRUCTIONS – ELECTRONIC DESCALER NEW SP4000 FITTINGS

FREQUENTLY ASKED QUESTIONS, HELPFUL HINTS

These are the components of this whole House Water Treatment equipment



C-SERIES

Time Clock Series Models

1" & 1-1/4" Control Valve

Time Clock Programming Guide

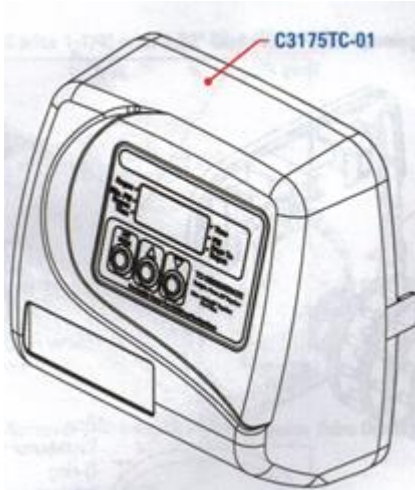


Front Cover and Drive Assemb/y

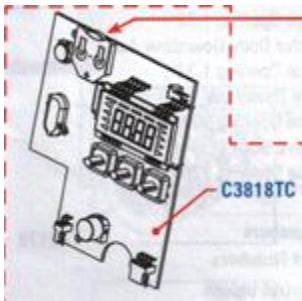
Part No.	Description	Qty
C3175TC-01	IC Front Cover Asy	1
C3107-01	Motor Asy	1
C3106-01	Drive Bracket & Spring Clip	1
C3818TC	IC PC Board 4-Digit	1
C3110	Drive Reducing Gear I2x363	
C3109	Drive Gear Cover	1
C3002TC	TCDriveAssemjy.	

Not Shown

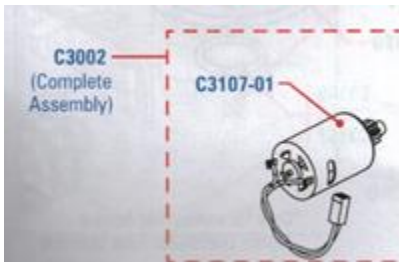
C3186	AC Adapter I2OV-12V	1
C3186EU	AC Adapter 220 240V 12VEU	
C3186UK	AC Adapter 220-240V-	
V3186-01	WS1 AC Adapter Cord Only	



Part Shown in picture C3175TC-01

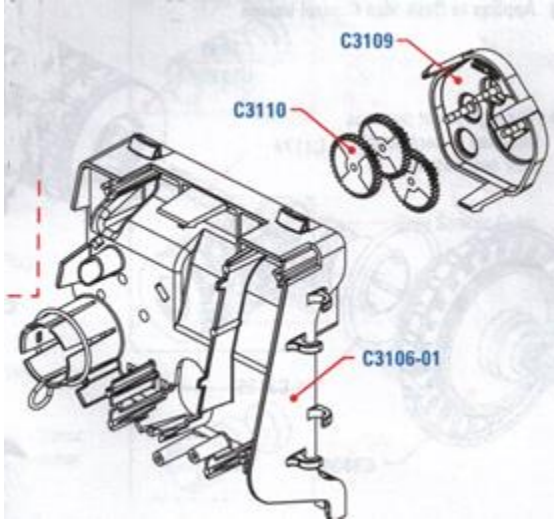


Part shown in picture C3818TC



Part shown in picture C3107-01

Complete assembly part C3002



Parts shown in picture C3110, C3109, C3106-01

Drive Cap Assembly, Down flow Piston, Rçgenerant Piston & Spacer Stack Assembly

Part No.	Description	Qty
C3430	Spacer Stack Assembly	1
C3004	Drive Cap ASY	1
C3178	Drive Back Plate	1
C3407	Piston Downfl ow ASY	1
C3174	Regenerant Piston	1
C3135	O-ring 228	1
C3180	O-ring 337	1
C3358	O-ring 219 (Dist. Tube Opening 1.32)	1
C3357:	O-ring218(Dist. Tübé Opening	
Not Shown		
C3020	Body ASY Downflow (Distributor Tube Opening 1.32")	
C3020-01	1.25 Mixing Valve Body Downflow Assy (Distributor Tube Opening 1.32')	
C3020-02	1.25Body Assy Downflow (Distributor Tube Opening 32mm)	
C3020-03	1.25 Mixing Valve Body Downflow Assy (Distributor Tube Opening 32mm)	

Part No.	Description	Qty
C3005	1 'Spacer Stack Assembly	1
C3004	Drive Cap Assembly	1
C3178	Drive Back Plate	1
C3011	Piston Downflow Assembly	1
C3174	Regenerant Piston	1
C3135	O-ring 228	1
C3180	O-ring 337	1
C3105	I O-ring 215 (Distributer Tube)	1
Not Shown		
C3001	Body ASYDownflow	1
C3001-02	I Mixing Valve Body ASY	

1" Control Valve Part Numbers C3118

1-1/4' Control Valve Part Numbers

Applies to Both Size Control Valves

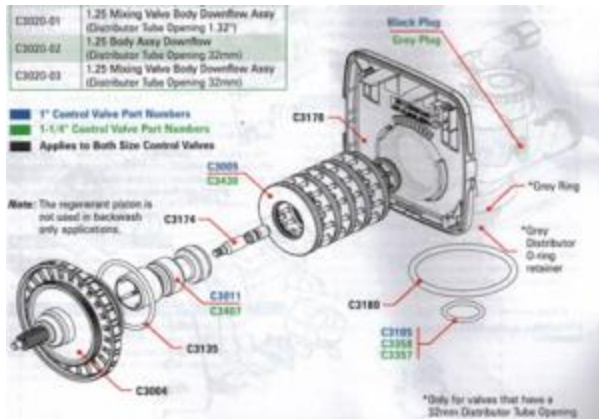
Words in the pictures: Black Plug , Grey Plug, Grey Ring, Distributor, retainer, Grey Spacer Color , Black Plug

*Only for valves that have a 32mm Distributor Tube Opening

C-Series 1' & 1-1/4" Time Clock Manual

C-Series 1" & 1-1/4" Control Valve Identification

C-Series with 1.050" Distributor Tube Opening Identification



C-Series 1-1/4" with 1.32H Distributor Tube Opening Identification

Words in picture: Black Spacer Color, Grey Plug

C-Series 1 1/4" with 32mm Distributor Tube Opening Identification

Words in picture: Grey Plug, Grey Spacer Color, Grey Ring, Grey Distributor O-Ring Retainer

C-Series 1 & 1-1/4" Time Clock Manual

